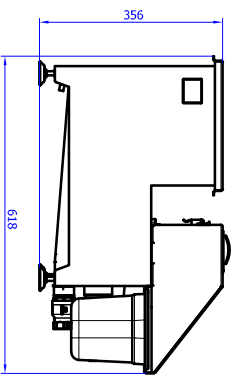
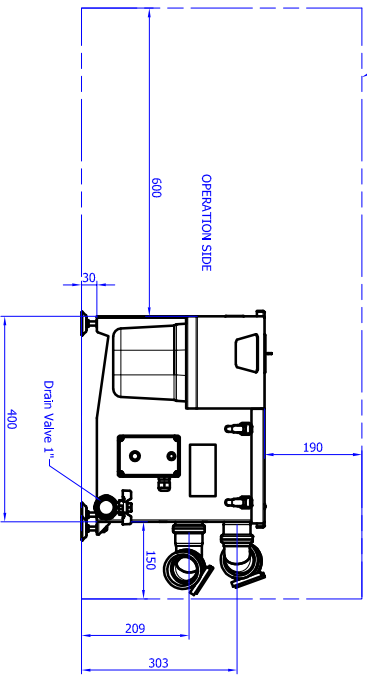
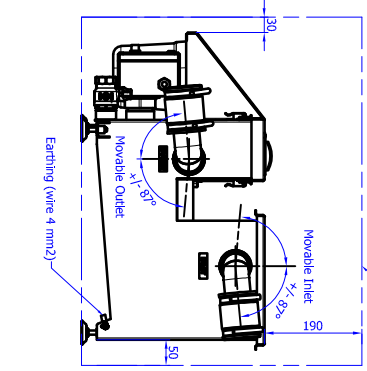
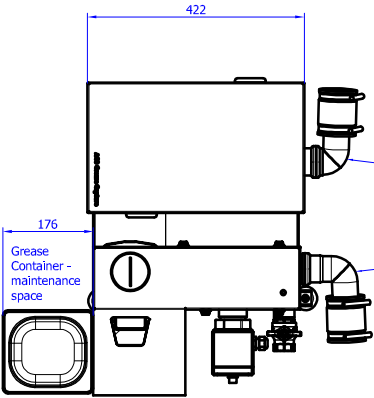




INSTALLATION AND MAINTENANCE SPACE



Inlet Push-fit system 50 mm (ACO pipe: HT)
+ flexible coupling 1.5" (OD 38 - 50 mm)
or 2.0" (OD 48 - 60 mm)

Outlet Push-fit system 50 mm (ACO pipe: HT)
+ flexible coupling 1.5" (OD 38 - 50 mm)
or 2.0" (OD 48 - 60 mm)



			
ISO 2788 - 1m - 2L 418502,05.23.C2 Partipilud	EN ISO 13920 - A 418502,05.23.C2	246 kg	1.3
ACO Grease Capture 050		153,309	AI