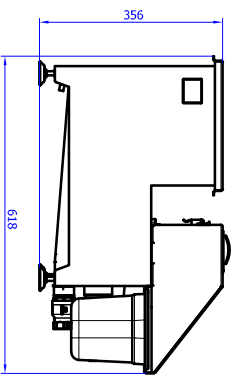
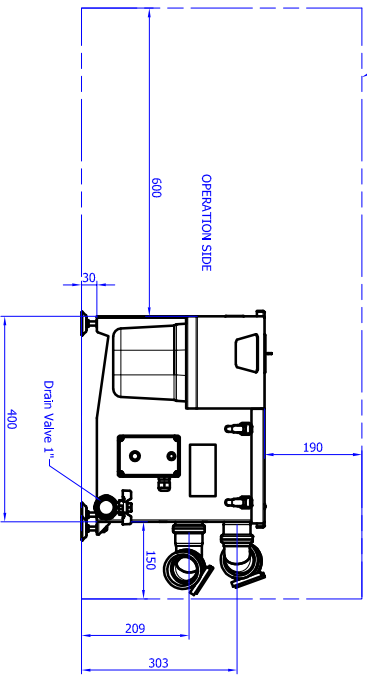
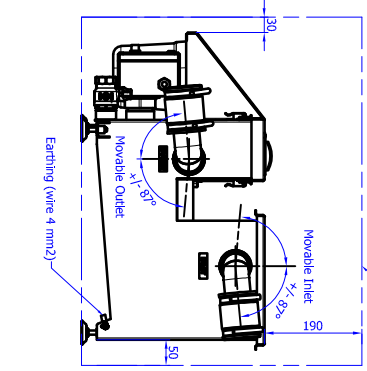
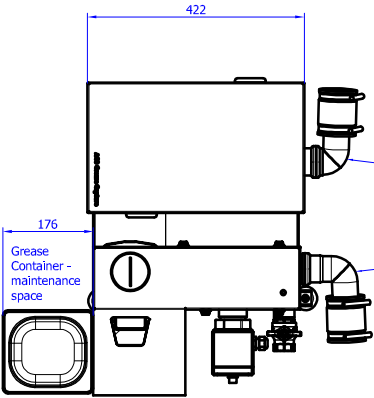



INSTALLATION AND MAINTENANCE SPACE



Inlet Push-fit system 50 mm (ACO pipe: HT)
+ flexible coupling 1.5" (OD 38 - 50 mm)
or 2.0" (OD 48 - 60 mm)

Outlet Push-fit system 50 mm (ACO pipe: HT)
+ flexible coupling 1.5" (OD 38 - 50 mm)
or 2.0" (OD 48 - 60 mm)



 <p>ACO Grease Capture 050</p>	<p>ISO 2768 - 1m - 2L</p> <p>418502,05.23.C2</p> <p>Partijual</p>	<p>EN ISO 13920 - A</p> <p>418502,05.23.C2</p>	<p>246 kg</p> <p>1.3</p>
<p>ACO GRD</p> <p>153.3019</p>			<p>AI</p>