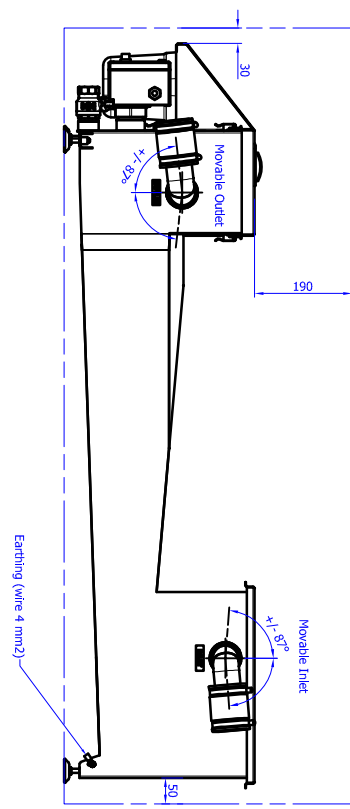
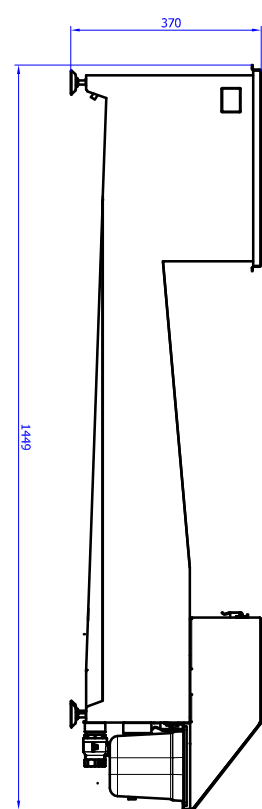


INSTALLATION AND MAINTENANCE SPACE

A

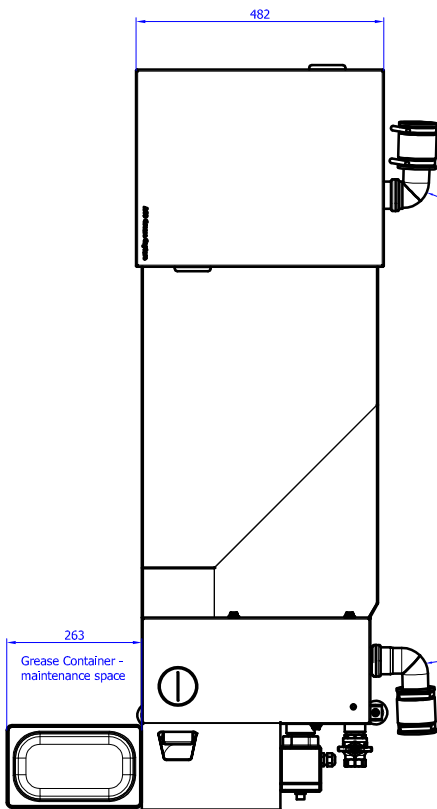


A



Inlet Push-fit system 50 mm (ACO pipe, HT)
+ Flexible coupling 1.5" (OD 38 - 50 mm)
or 2.0" (OD 48 - 60 mm)

Outlet Push-fit system 50 mm (ACO pipe, HT)
+ flexible coupling 1.5" (OD 38 - 50 mm)
or 2.0" (OD 48 - 60 mm)



Grease Container - maintenance space

| | | | |
|---------------------------------------|------------------|-------------------------------|-----|
| | | ACO Grease Capture 220 | |
| ISO 2768 - 1m - 2L 418502.22.23.C2 | EN ISO 13920 - A | 47.4 kg | 1.5 |
| Particular | 418502.22.23.C2 | 15.3.2019 | AI |