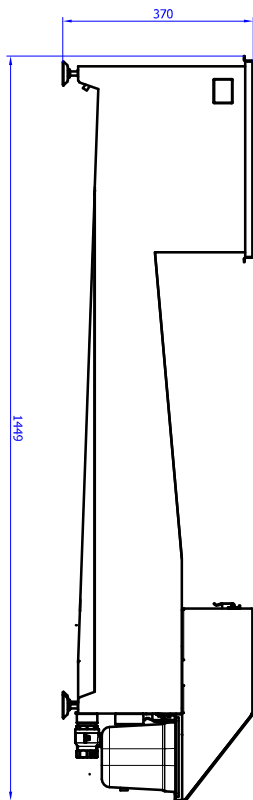
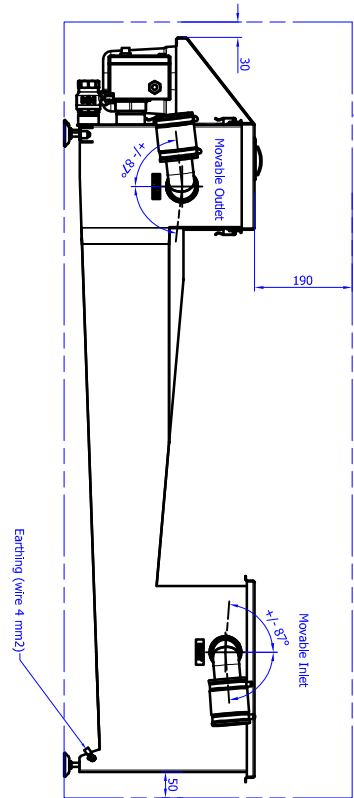


A



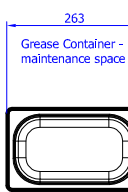
INSTALLATION AND MAINTENANCE SPACE

A



Inlet Push-fit system 50 mm (ACO pipe, HT)
+ Flexible coupling 1.5" (OD 38 - 50 mm)
or 2.0" (OD 48 - 60 mm)

Outlet Push-fit system 50 mm (ACO pipe, HT)
+ flexible coupling 1.5" (OD 38 - 50 mm)
or 2.0" (OD 48 - 60 mm)



		ACO Grease Capture 220	
ISO 2768 - 1m - 2L 418502.22.23.C2 Particular	EN ISO 13920 - A 418502.22.23.C2	47.4 kg 1.3 m	15.3.2019
ACO GRID		AI	