
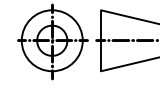


3	2	N321-2313-00-00	E70328	Sestava víko 450		2.38		
1	1	N321-2322-04-00	E418601	Garage separator NS3/300		76.38		
Poz.	Ks.	Vykres /model	Index	Art.	Nazev	Popis	Mat.	H(kg)

Material		Mass		 ACO Industries Tábor s.r.o. Průmyslová 1158 Tel.: +420 381 474 600 391 01 Sezimovo Ústí www.aco-industries.cz www.aco.com	
TKV_06: PE/PP/PVC/PVDF TKV_03: GRP		81,1 kg			
Tolerance		Tolerance for welding		Projection: ISO-E  The reproduction, distribution and utilization of this document as well as the communication of its contents to others without express authorization is prohibited.	
Created by	Date	Name	Scale		
Reviewed by	Update		1:10		
Garage separator NS3/300				Drawing NO.	
418601_HC				418601_HC	
418601_HC				List: 1 / 1	
				A3	