
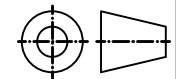


Poz.	Ks.	Vykres /model	Index	Art.	Nazev	Popis	Mat.	H(kg)
2	2	N321-2313-00-00		E70328	Sestava víko 450			2.38
1	1	N321-2322-05-00		E418602	Garage separator NS3/600			126.2

Material		Mass		 ACO Industries Tábor s.r.o. Průmyslová 1158 Tel.: +420 381 474 600 391 01 Sezimovo Ústí www.aco-industries.cz www.aco.com	
Tolerance TKV_06: PE/PP/PVC/PVDF TKV_03: GRP		131,0 kg Tolerance for welding			
	Date	Name	Scale	Projection: ISO-E  The reproduction, distribution and utilization of this document as well as the communication of its contents to others without express authorization is prohibited.	
Created by	20.1.2021	ojahodnik	1 : 12		
Reviewed by					
Update	20.1.2021	ojahodnik			
Garage separator NS3/600				Drawing NO.	
418602_HC				418602_HC	
418602_HC				Index	
				List: 1 / 1	
				A3	