
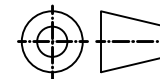


Poz.	Ks.	Vykres /model	Index	Art.	Nazev	Popis	Mat.	H(kg)
3	2	N321-2322-06-00		E70550	Cover small 1			1.79
1	1	N321-2322-05-00		E418602	Garage separator NS3/600			126.2

Material		Mass 129,8 kg		 ACO Industries Tábor s.r.o. Průmyslová 1158 Tel.: +420 381 474 600 391 01 Sezimovo Ústí www.aco-industries.cz www.aco.com	
Tolerance TKV_06: PE/PP/PVC/PVDF TKV_03: GRP		Tolerance for welding			
	Date	Name	Scale 1 : 12	Projection: ISO-E 	The reproduction, distribution and utilization of this document as well as the communication of its contents to others without express authorization is prohibited.
Created by	20.1.2021	ojahodnik			
Reviewed by					
Update	20.1.2021	ojahodnik			
Garage separator NS3/600				Drawing NO. 418602_LC	
418602_LC				Index	
				List: 1 / 1	
				A3	