
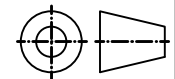


2	1	N321-2322-06-00	E70550	Cover small 1			1.79	
1	1	N321-2322-13-00	E418607	Free standing Oil separator NS10/1000			139.45	
Poz.	Ks.	Vykres /model	Index	Art.	Nazev	Popis	Mat.	H(kg)

Material		Mass 141,2 kg		 ACO Industries Tábor s.r.o. Průmyslová 1158 Tel.: +420 381 474 600 391 01 Sezimovo Ústí www.aco-industries.cz www.aco.com		
Tolerance TKV_06: PE/PP/PVC/PVDF TKV_03: GRP		Tolerance for welding				
Created by	Date	Name	Scale 1:14	Projection: ISO-E 	The reproduction, distribution and utilization of this document as well as the communication of its contents to others without express authorization is prohibited.	
Reviewed by						
Update	20.1.2021	ojahodnik				
Garage separator NS10/1000				Drawing NO. 418607_LC		Index
418607_LC						
					List: 1 / 1	A3