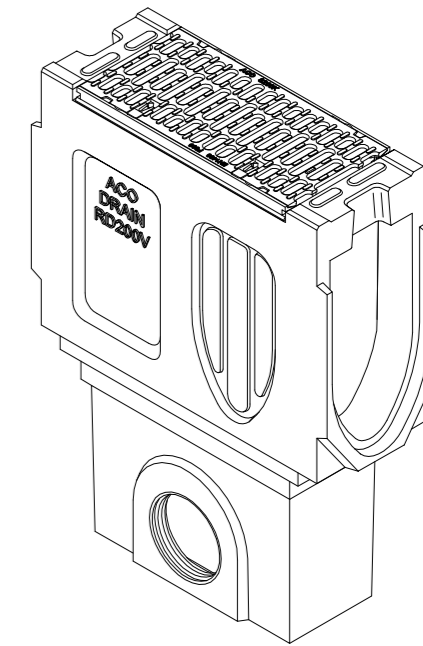
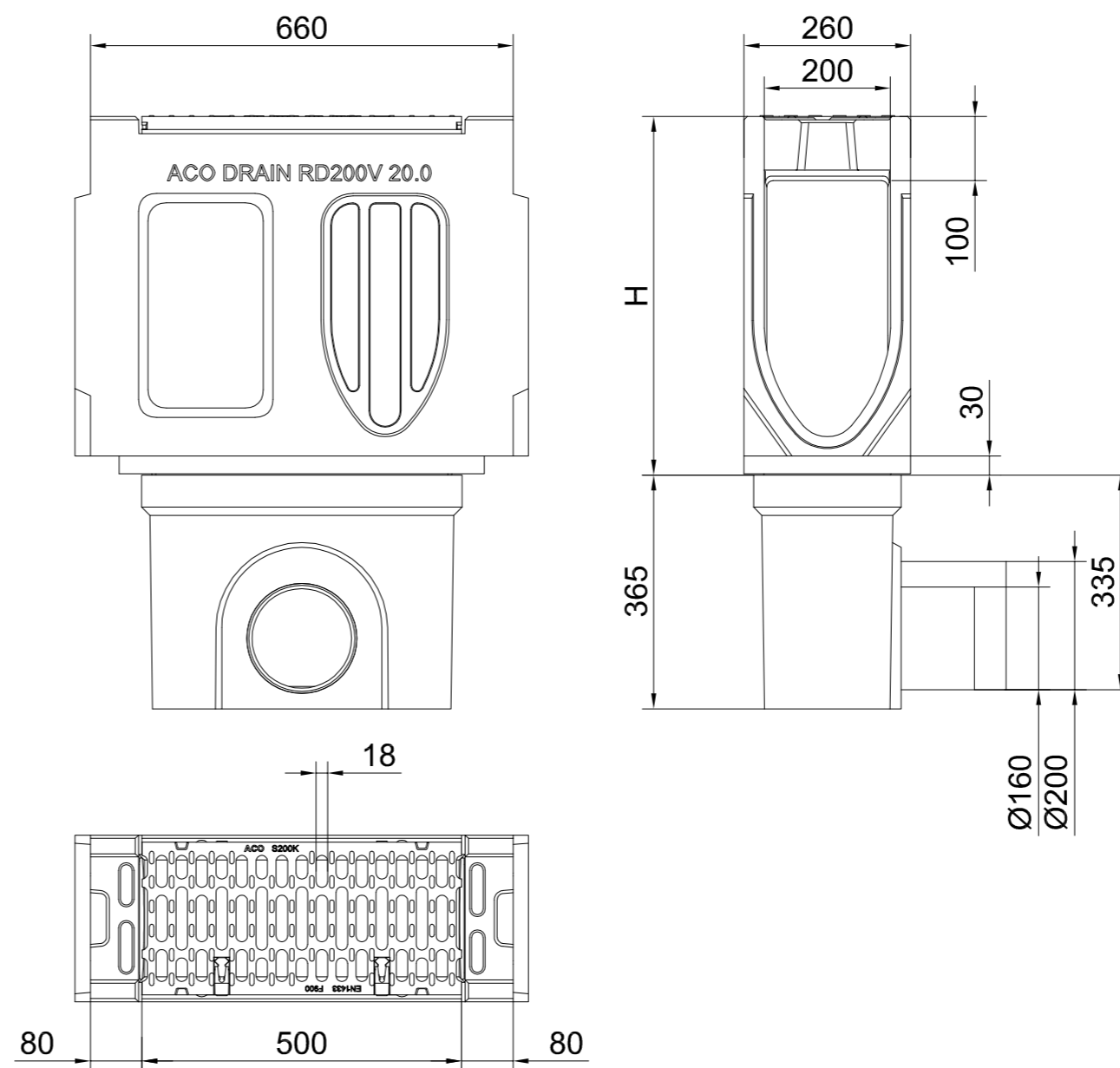
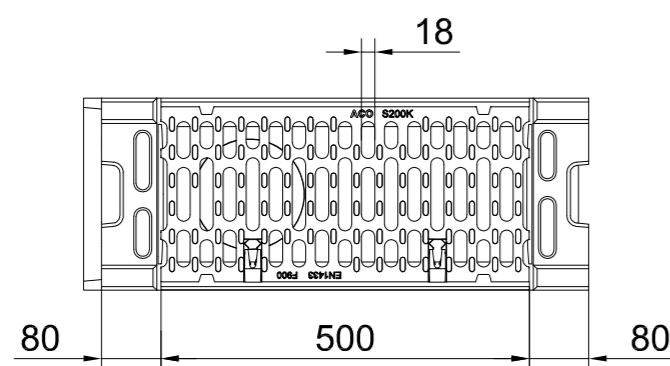
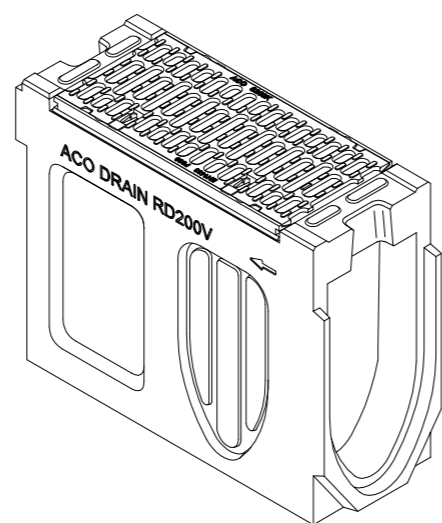
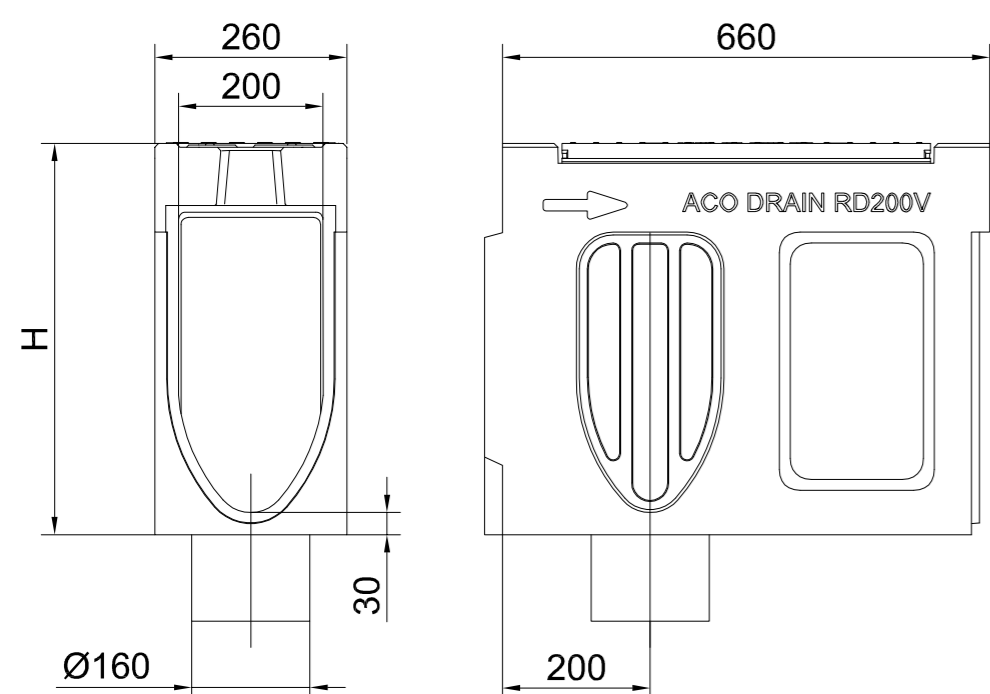


Load class	Typ	H [mm]	Art.-Nr.	
			antracyt	natural
D 400 - F 900	0.0	330	135006	130004
D 400 - F 900	20.0	530	135007	130006

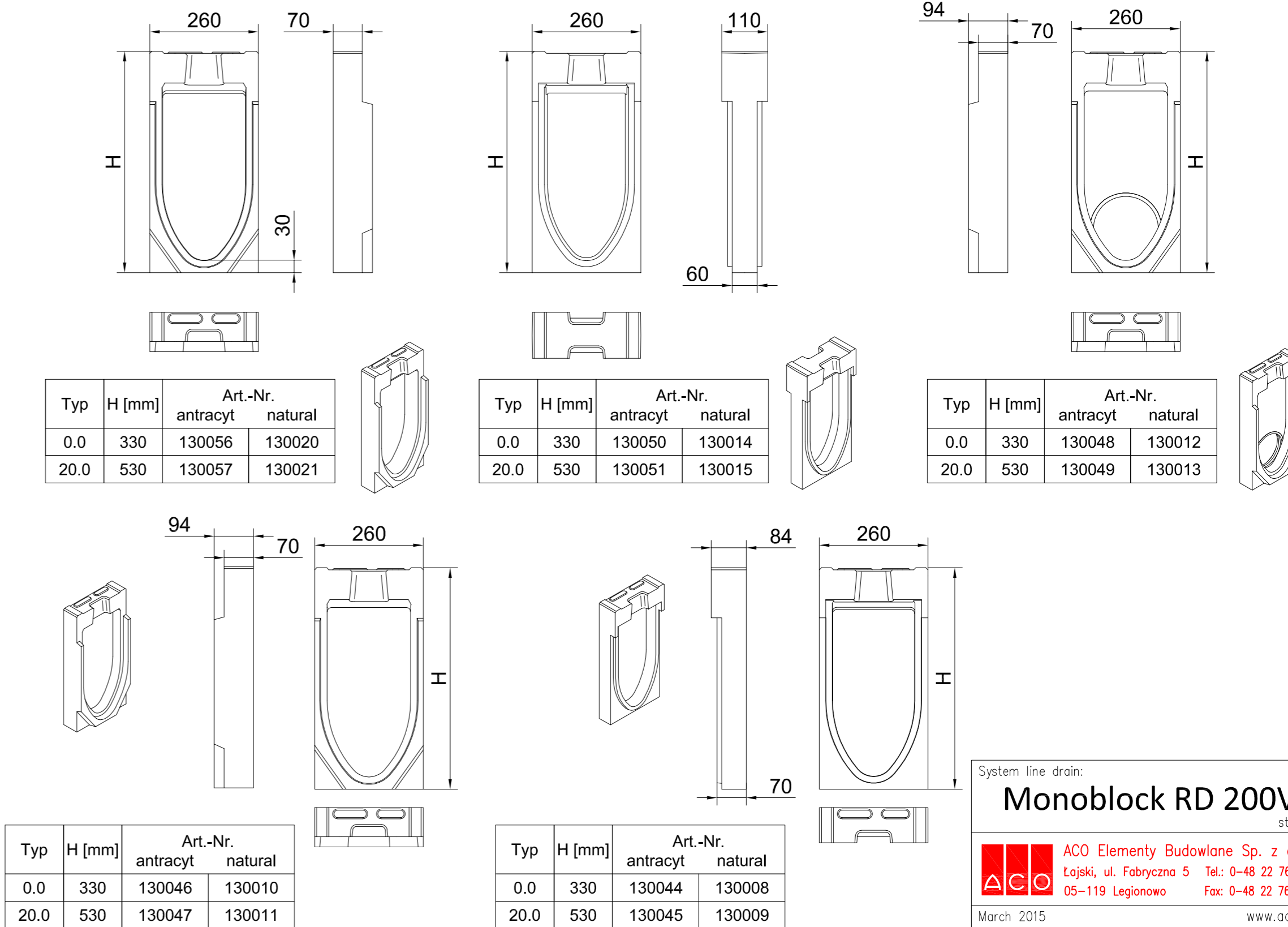


	Typ	H [mm]	Art.-Nr.	
			antracyt	natural
upper part	0.0	360	130058	130022
upper part	20.0	560	130059	130023
lower part	Ø160	365	10935	
lower part	Ø200	365	10936	
basket	-	-	13999	



Access units	H [mm]	Art.-Nr.	
		antracyt	natural
Typ 0.1	330	130052	130016
Typ 20.1	530	130053	130017

Access units	H [mm]	Art.-Nr.	
		antracyt	natural
Typ 0.2	330	130054	130018
Typ 20.2	530	130055	130019



Typ	H [mm]	Art.-Nr.	
		antracyt	natural
0.0	330	130056	130020
20.0	530	130057	130021

Typ	H [mm]	Art.-Nr.	
		antracyt	natural
0.0	330	130050	130014
20.0	530	130051	130015

Typ	H [mm]	Art.-Nr.	
		antracyt	natural
0.0	330	130048	130012
20.0	530	130049	130013

Typ	H [mm]	Art.-Nr.	
		antracyt	natural
0.0	330	130046	130010
20.0	530	130047	130011

Typ	H [mm]	Art.-Nr.	
		antracyt	natural
0.0	330	130044	130008
20.0	530	130045	130009

System line drain:
Monoblock RD 200V
standard

ACO Elementy Budowlane Sp. z o. o.
Łajski, ul. Fabryczna 5 Tel.: 0-48 22 76 70 500
05-119 Legionowo Fax: 0-48 22 76 70 513

March 2015 www.aco.pl
Prepared: mrg inż. Jarosław Maślany