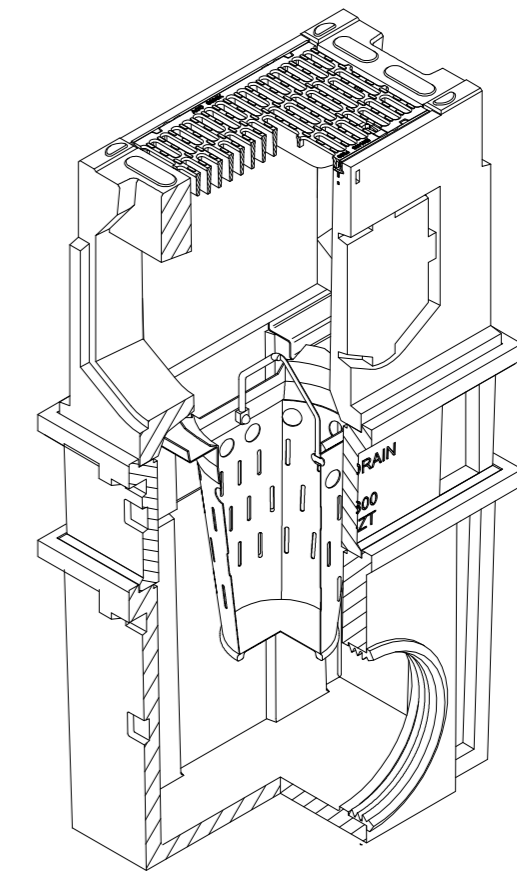
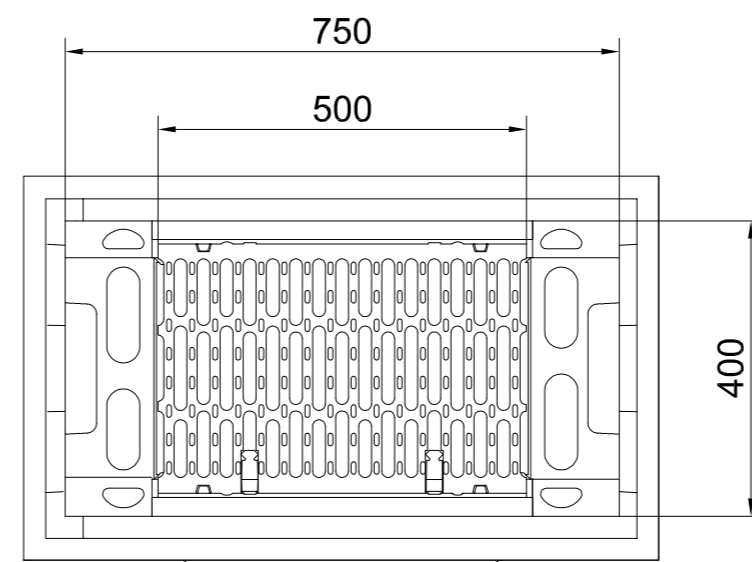
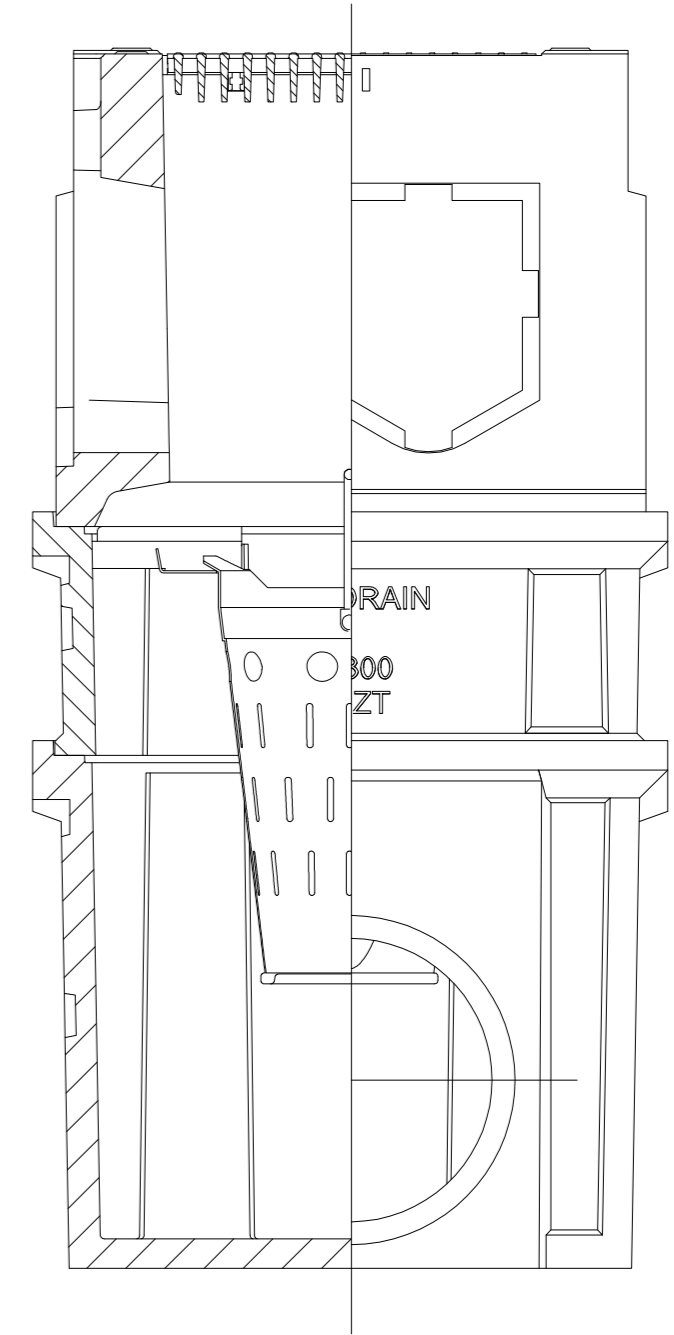
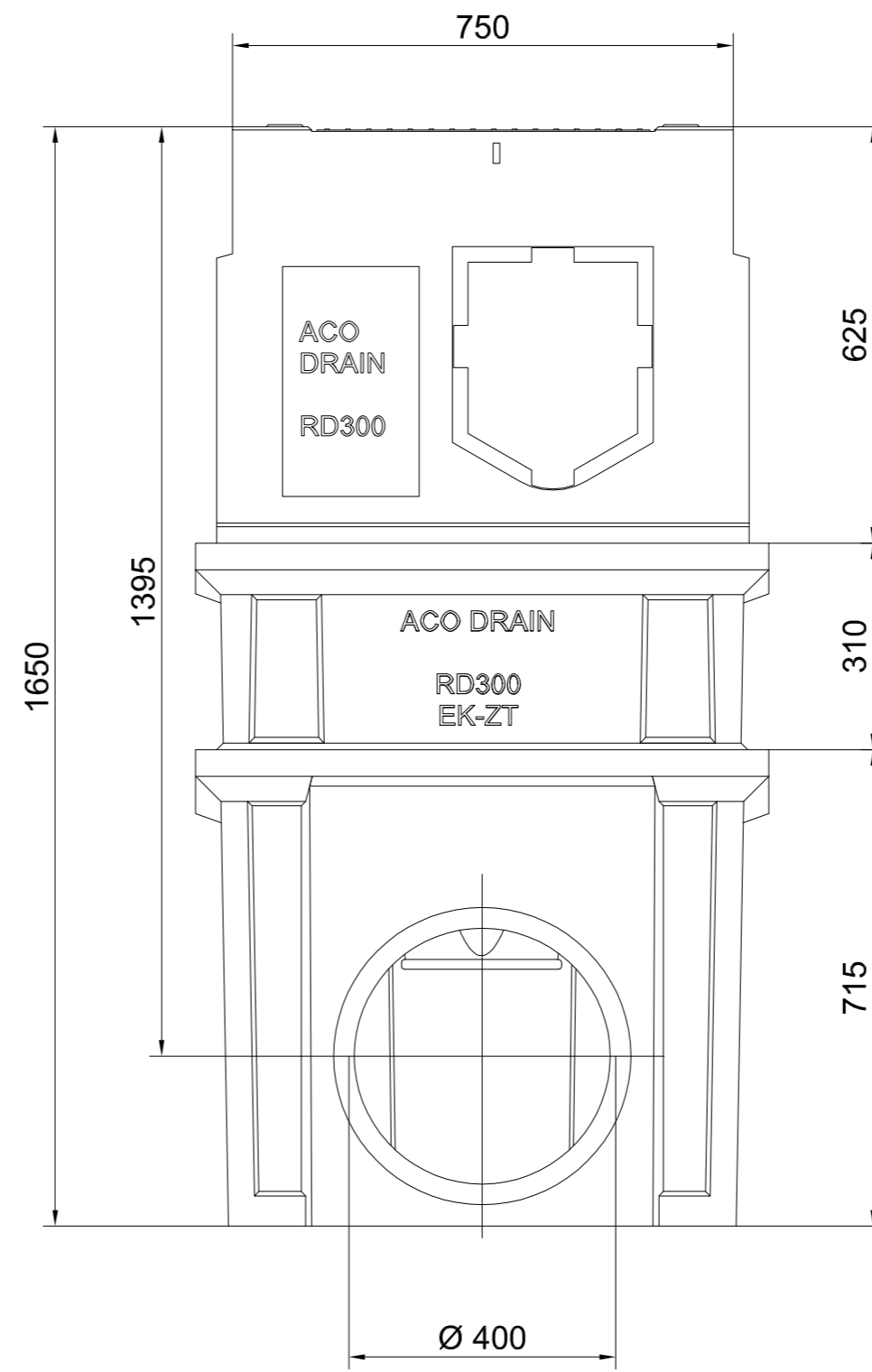
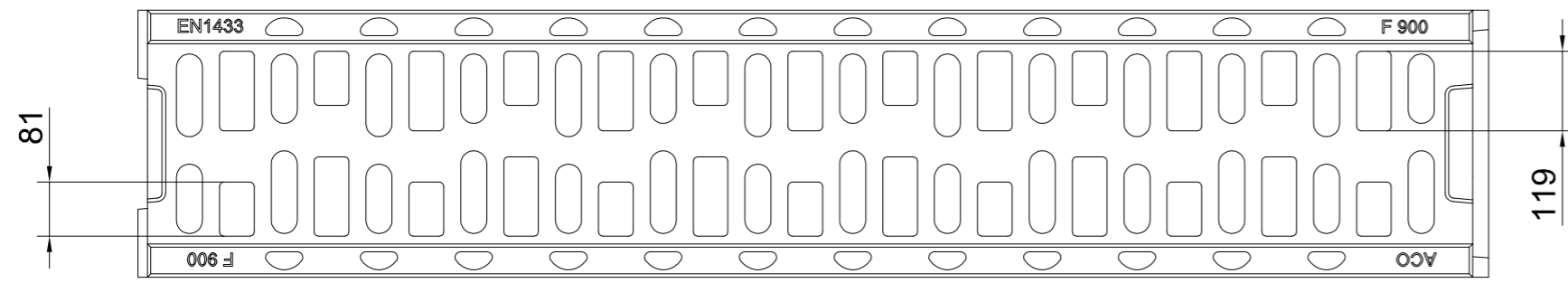
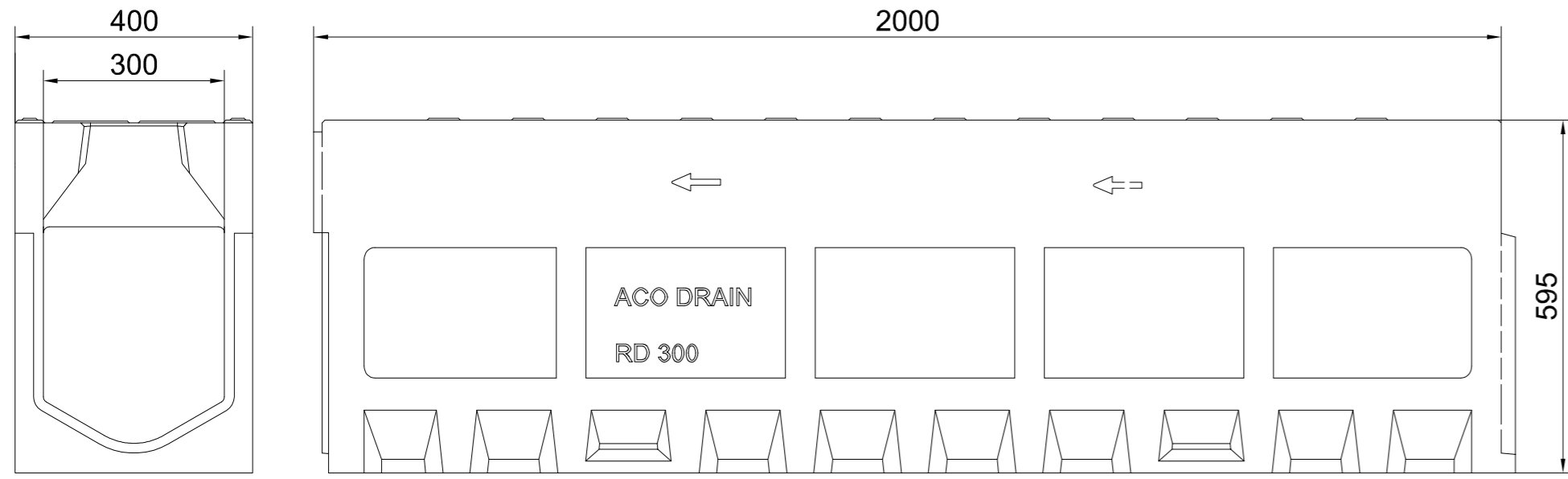
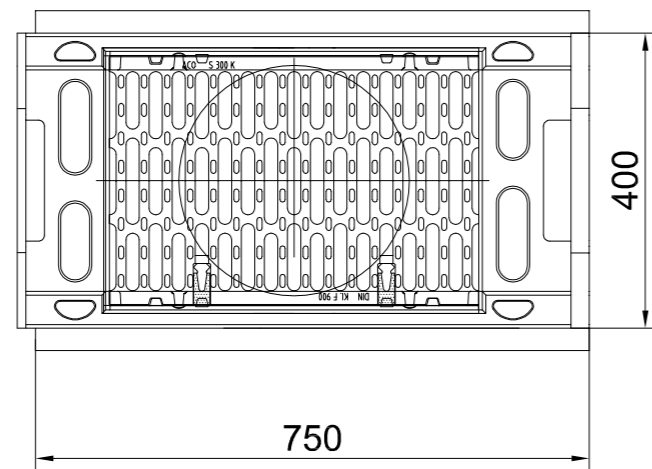
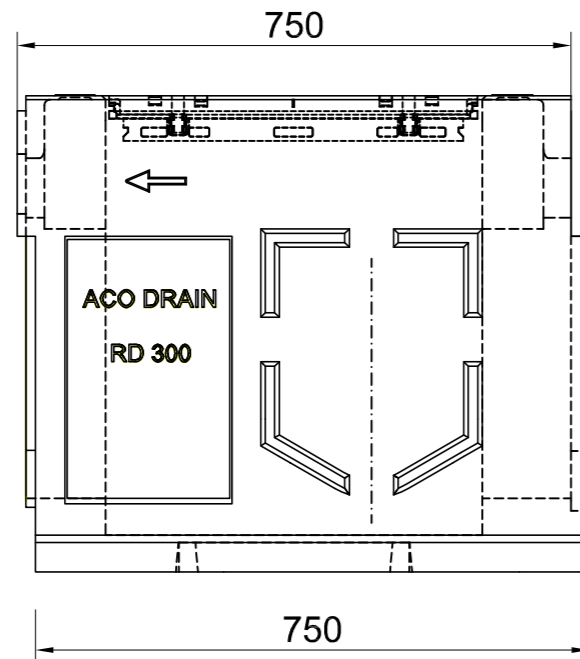
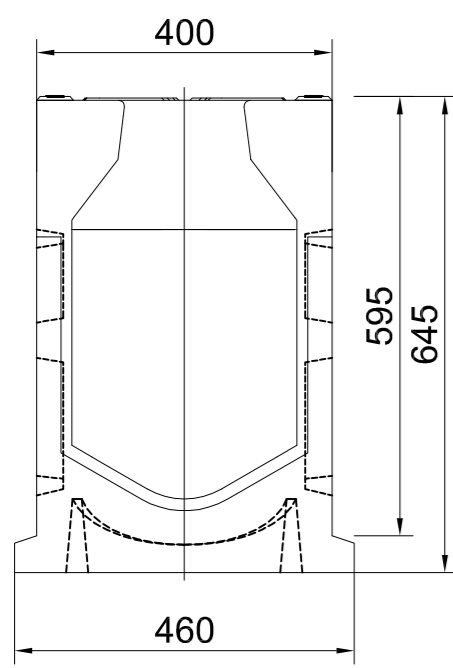


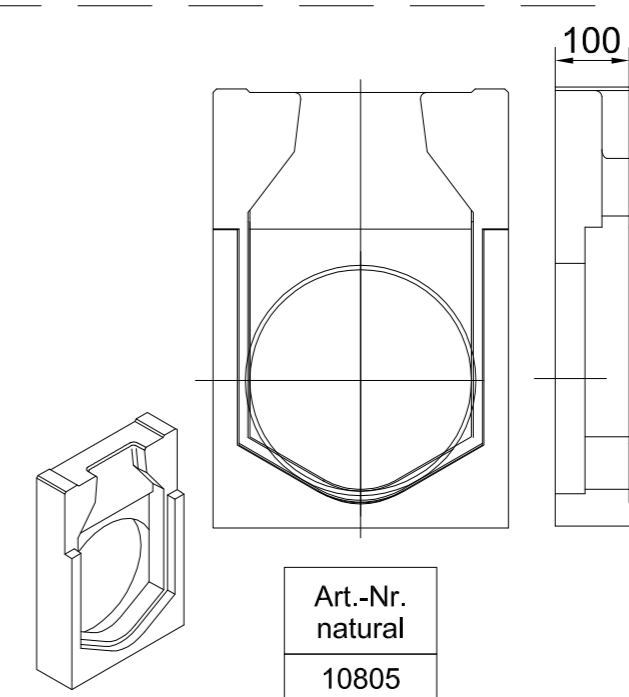
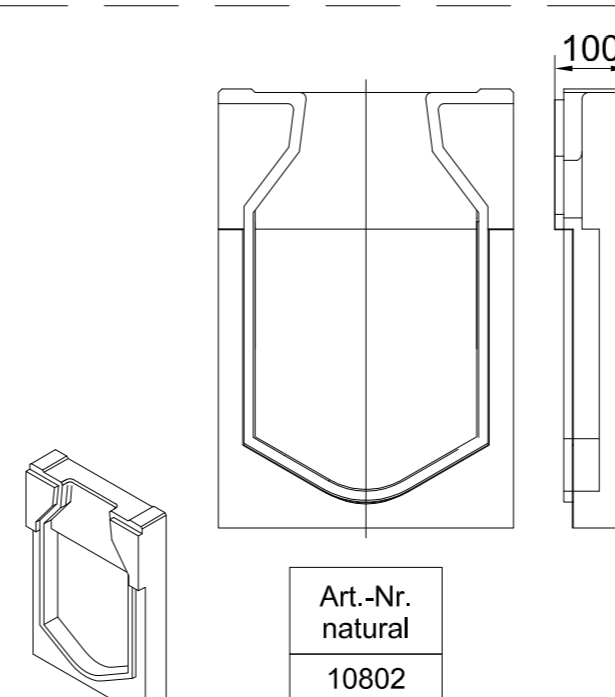
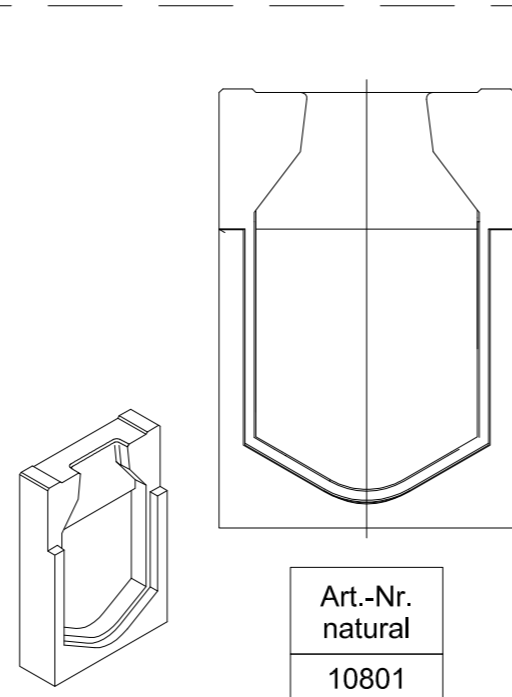
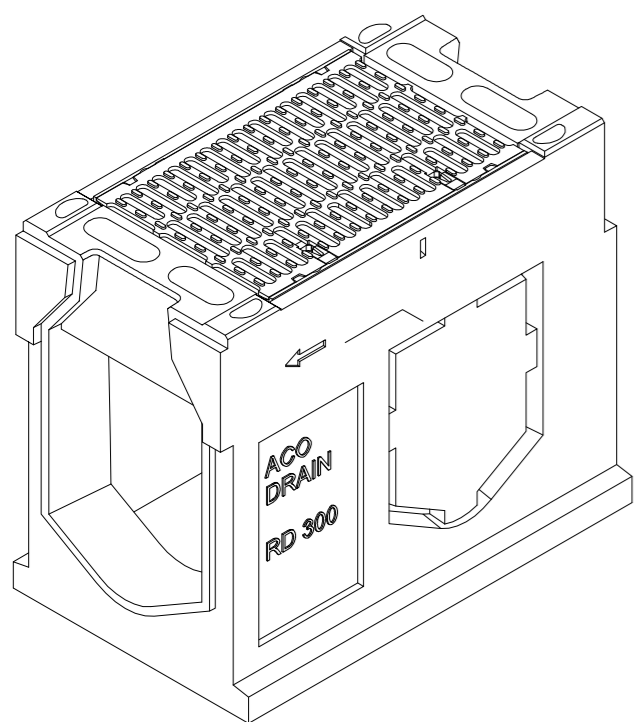
Load class	H [mm]	Art.-Nr.	
D 400 - F 900	595	antracyt	natural
			10820



	Art.-Nr.
	natural
upper part	10821
intermediate part	10822
upper part Ø400	10823
adapter	10824
basket	01617



Access units	H [mm]	Art.-Nr.	
0.1	645	antracyt	natural
		-	10803



System line drain:  
**Monoblock RD 300**

**ACO** ACO Elementy Budowlane Sp. z o. o.  
Łajski, ul. Fabryczna 5 Tel.: 0-48 22 76 70 500  
05-119 Legionowo Fax: 0-48 22 76 70 513

March 2015 www.aco.pl  
Prepared: mrg inż. Jarosław Maślany